

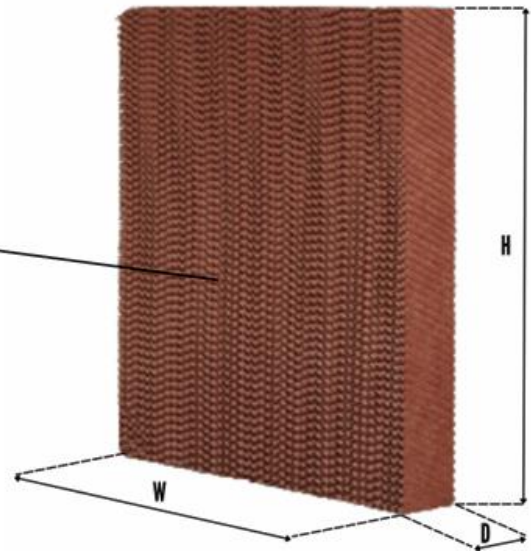
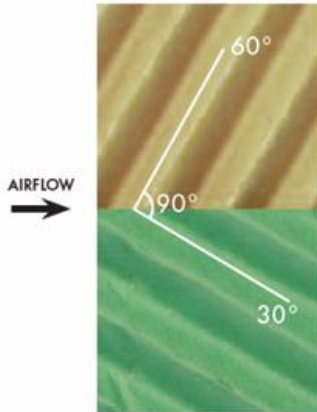
FAN-PAD COOLING SYSTEM

The fan-pad system operates on the same principle as the high-pressure fogging system. Both applications provide evaporative cooling and humidification. The heat required for water evaporation is taken from the sensible heat of the air, resulting in a decrease in the air's dry bulb temperature, which provides cooling.

How it Works ?

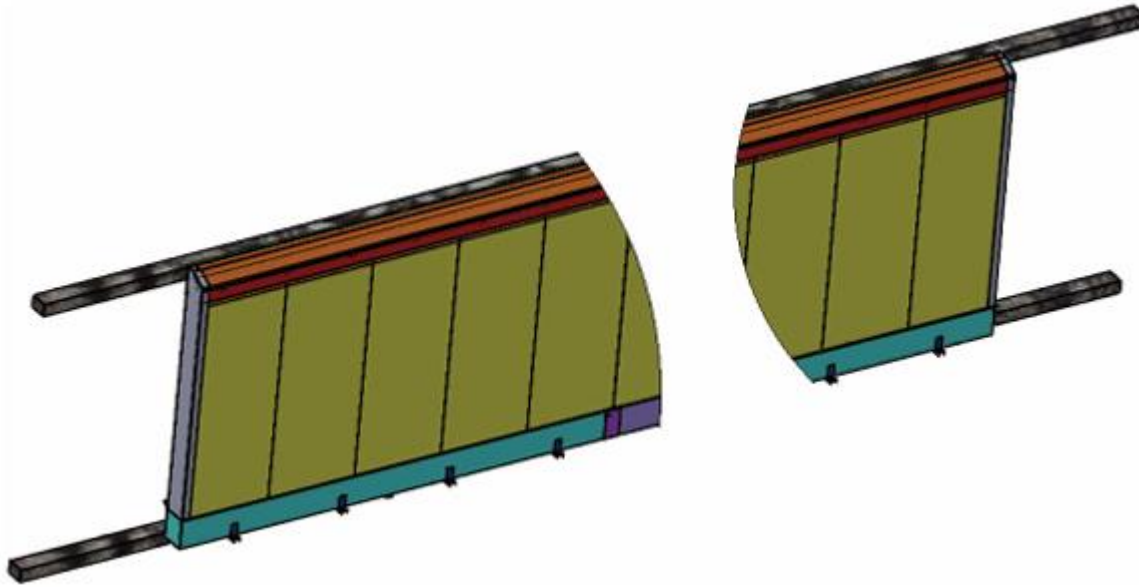
Exhaust fans are placed at one end of the greenhouse, while the pad system is positioned at the other end. When the fans operate, they create negative pressure inside the greenhouse, forcing the outside air to pass through the wetted pads before entering. This process cools and humidifies the incoming air, creating an ideal environment for plant growth.

- **Contributes to Plant Growth:** Fan-Pad Systems regulate temperature and humidity levels, creating an ideal environment for plant growth. This improves product quality and yield.
- **Energy Efficiency:** Unlike traditional air conditioning systems, Fan-Pad Systems provide very low energy consumption for evaporative cooling.
- **Easy Maintenance:** These systems require minimal maintenance and are easy to install. Their long lifespan also makes them a cost-effective investment for greenhouse growers.
- **Eco-Friendly:** Fan-Pad Systems use evaporative cooling, offering a sustainable and eco-friendly alternative to traditional air conditioning systems.



Stock Code	Product Description	H	W	D
0.014.090.038	70/90° Evaporative Cooling Pad	1500,0 mm	600,0 mm	150,0 mm
4.014.091.001	70/90° Evaporative Cooling Pad	1800,0 mm	600,0 mm	150,0 mm
0.014.090.025	70/90° Evaporative Cooling Pad	2000,0 mm	600,0 mms	150,0 mm
0.014.091.009	70/90° Water Distribution Pad	3000,0 mm	600,0 mm	150,0 mm

COOLING PAD FRAME SYSTEMS



Stock Code	Product Description	Dimensions
3.014.092.XXX	PVC Fan-Pad Frame System	Tailor-Made
3.014.092.YYY	Galvanized Fan-Pad Frame System	Tailor-Made
3.014.092.ZZZ	Stainless Steel Fan-Pad Frame System	Tailor-Made

POLYETHYLENE MAIN PIPES



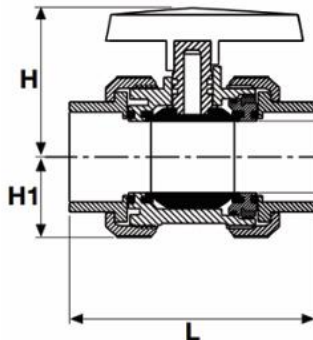
Stock Code	Product Description	Pressure Class	Wall Thickness	Weight
0.014.092.001	Ø50 mm U-PVC Main Pipe	PN 6	3.0 mm	0.37 kg/m
0.014.092.003	Ø50 mm U-PVC Coupling	PN 16	1.6 mm	0.06 kg

PERFORATED U-PVC PIPES (DRIP PIPES)



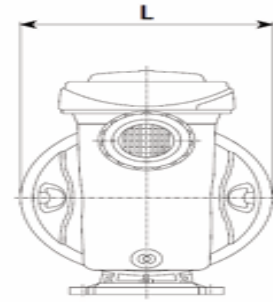
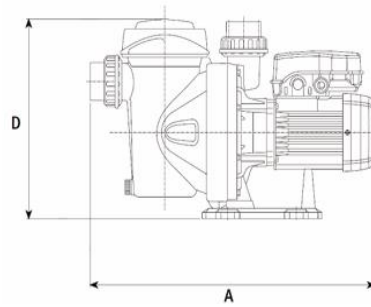
Stock Code	Product Description	Press.Class	Thickness	Weight
1.014.092.117	Ø63 mm Perforated U-PVC Distribution Pipe	PN 6	2,0 mm	0,57 kg/m

SOCKET-TYPE U-PVC BALL VALVES



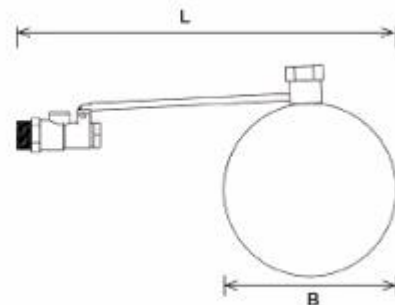
Stock Code	Product Description	Press.Class	L	H1	H	Weight
0.018.105.003	Ø63 mm Socket-type U-PVC Ball Valve	PN 16	172,0 mm	58,0 mm	101,0 mm	1.13 kg

CIRCULATION PUMPS



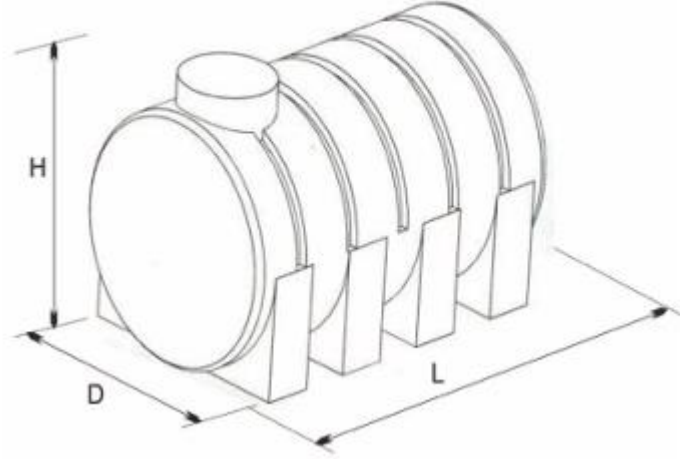
Stock Code	Product Description	Flow Rate (m ³ /s)	Dimensions (mm)	Weight
4.014.092.003	0.25 kW Self-Priming Centrifugal Pump	9.00 mm	304.0 x 438.5 x 212.0	8.9 kg
4.014.092.001	0.37 kW Self-Priming Centrifugal Pump	11.00 mm	304.0 x 438.5 x 212.0	10.2 kg
4.014.092.002	0.75 kW Self-Priming Centrifugal Pump	13.00 mm	304.0 x 438.5 x 212.0	10.9 kg

FLOAT (FOR WATER TANK SYSTEMS)



Stock Code	Product Description	Dimensions (mm)	Weight (kg)
0.014.092.072	DN 15 Brass Float (with Plastic Ball)	283.0 x 120.0	0.23

WATER TANK



Stock Code	Product Description	Top Cover Diameter (mm)	Dimensions (HXDXL)(mm)
14.092.101	1,000.0 L Horizontal Water Tank	400.0	1,120 x 1,020 x 1,300
14.092.102	2,000.0 L Horizontal Water Tank	400.0	1,250 x 1,100 x 2,200
14.092.103	3,000.0 L Horizontal Water Tank	400.0	1,550 x 1,400 x 1,950

Certificates





E info@timfog.com

P +90 262 244 44 94

Çerkeşli Osb Mah. İmes 7.Cadde NO:3
Dilovası/Kocaeli
TÜRKİYE

Timfog is a brand of MCM Engineering.